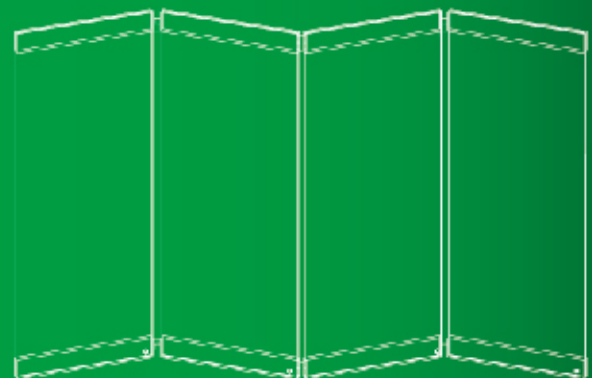




SFW-DR

HEAVY DUTY SLIDING AND FOLDING WALL SYSTEM

NO BOTTOM GUIDE REQUIRED!





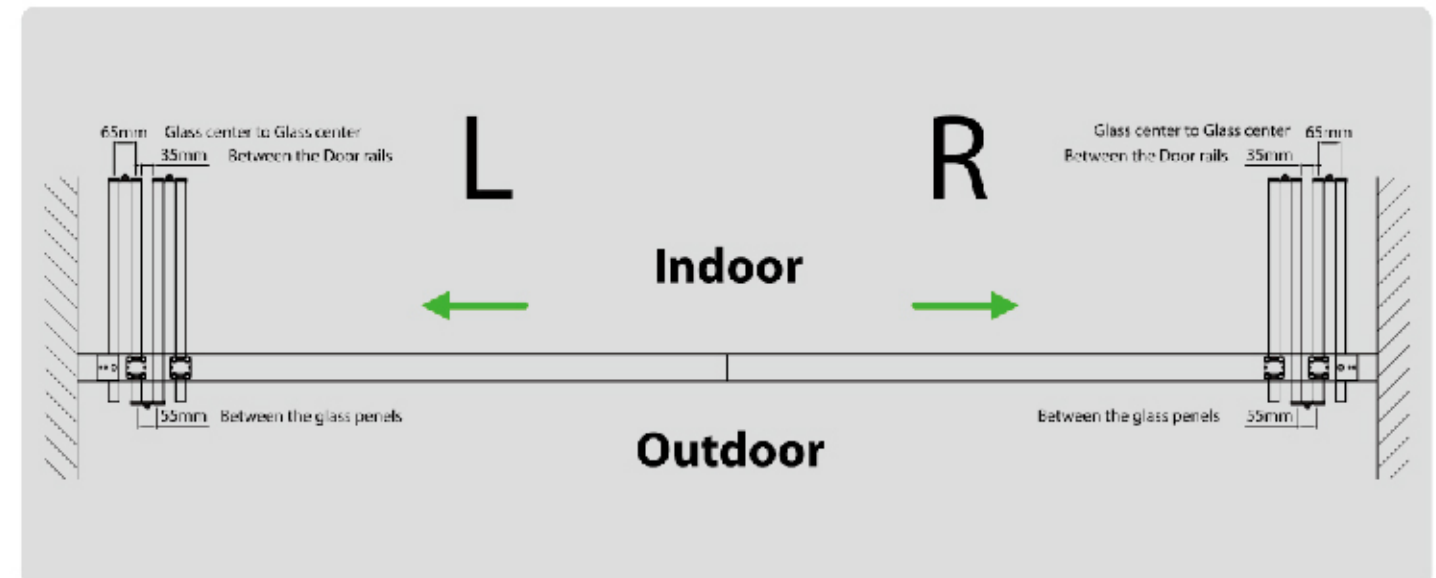
**HEAVY DUTY
SLIDING AND
FOLDING WALL SYSTEM**

**System's benefits
and advantages**

1. No holes in the glass panel are required for the glass to fit this system.
2. With this system you don't need to install a bottom track or guide, as it requires minimal effort to fold/retract the glass panels via the top track only.
3. When glass door panels are folded back and retracted, they take up minimal space only 55mm between each glass panels.
4. This system has a modern anodized aluminum profile with a sleek and contemporary hinge system for today's market.

Applications:

- Automobile Showroom
- Banquet Halls
- Convention Centres
- Retail And Mall Storefronts
- Restaurants And Eateries.
- Commercial and Domestic room division

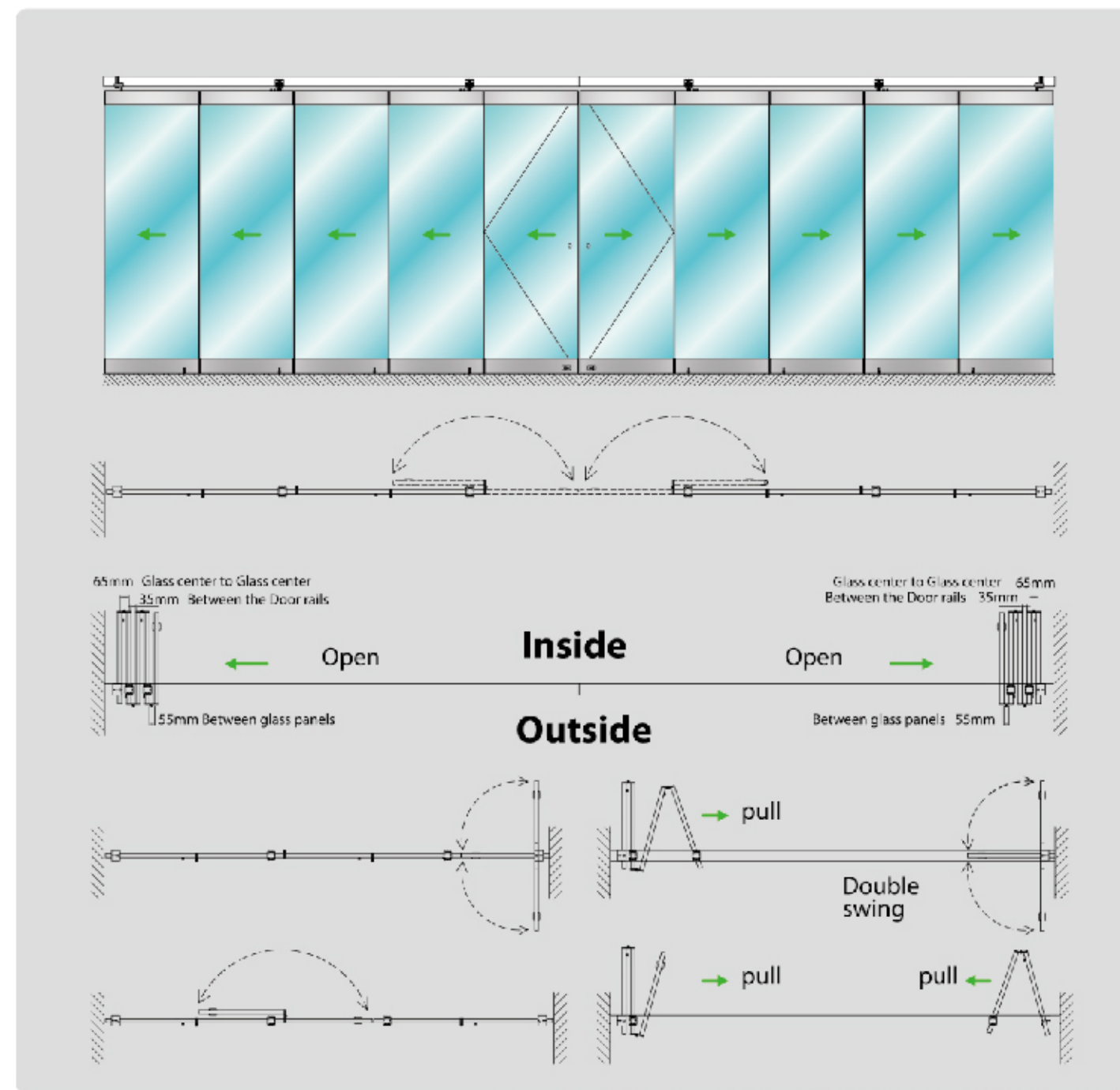
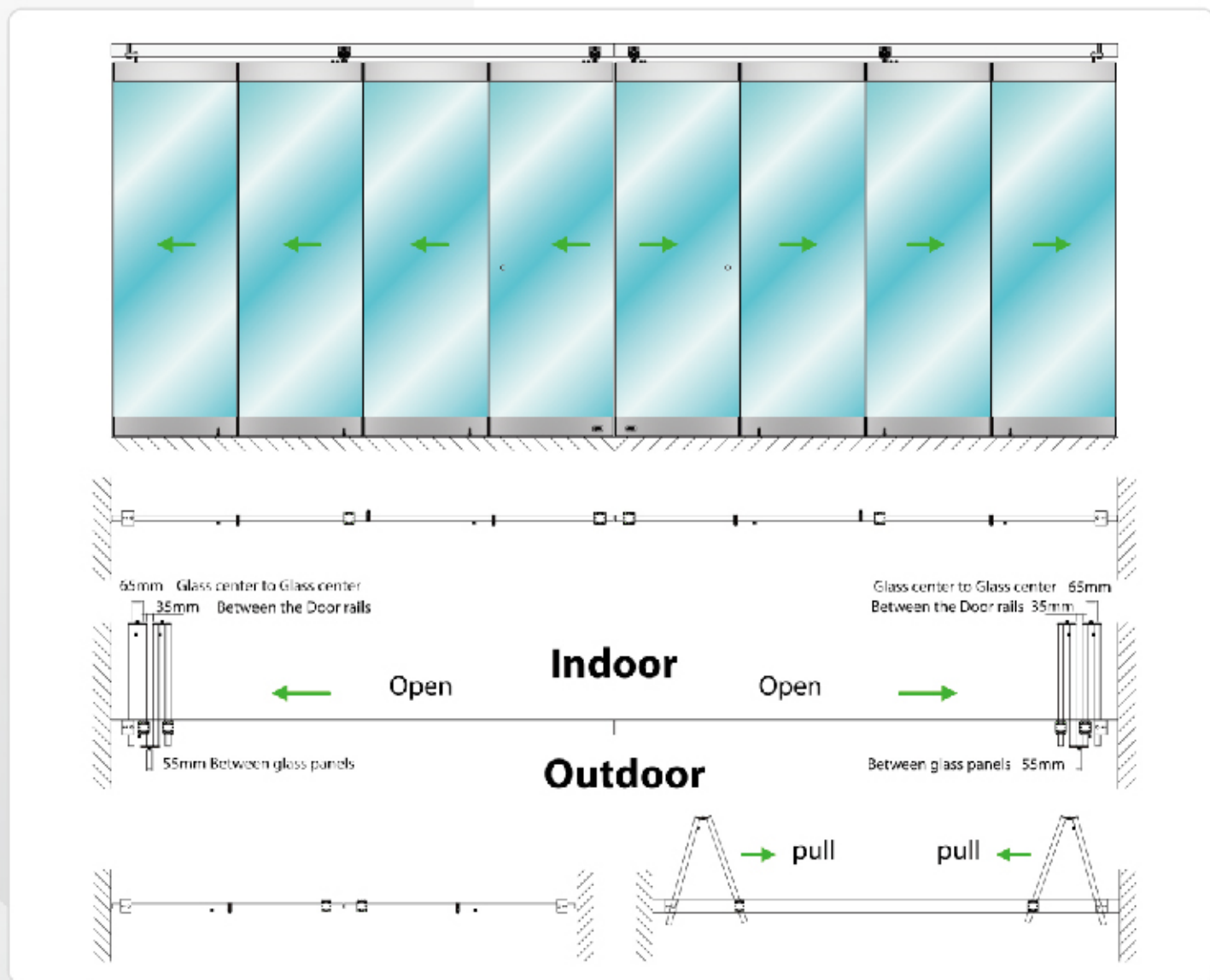


Member
NGA
National Glass
Association
U.S.A.

GOOD FITTINGS IN THE WORLD CREDIT

Type A1 *Rollers Offset Type*

Type A2 *Rollers Offset Type with last free single swing panel*



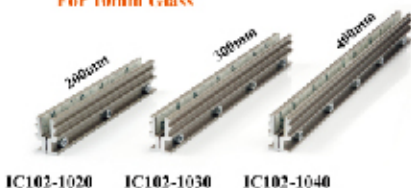
Type A1

Top: SWS 80 ST
SWS 80 TC/LP
FRH - 102
FDH - 102
EC - 102 PAA
DR - 102 AL
IC 102 - 1020 / 1030 / 1040 or
IC 102 - 1220 / 1230 / 1240

- Roller fixed offset
- Every panel mounted to floor by flush bolt and the last panel can be locked.
- If you **don't required** the end panel to open and close as swing door, you must order in even mutiple. For example : 2,4,6,8 panels.
Max. height : 3000 mm
Max. width : 850 mm
Max. weight : 80 kgs
- Two sizes of inner clamps for fixing 10mm or 12mm thickness tempered glass.

Inner clamp for 10 mm

For 10mm Glass



Inner clamp for 12 mm

For 12mm Glass



IC102-1020 IC102-1030 IC102-1040 IC102-1220 IC102-1230 IC102-1240

Type A2

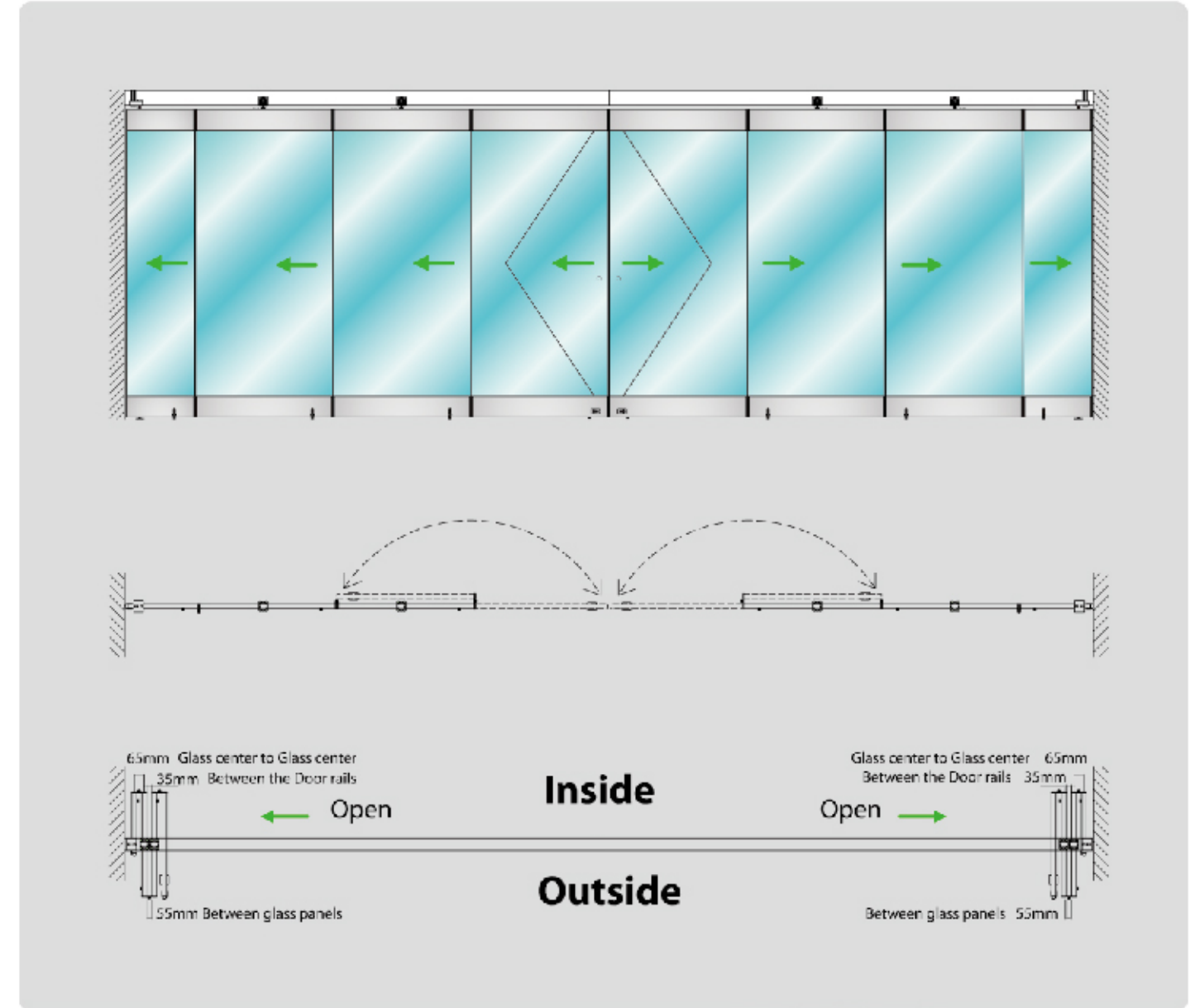
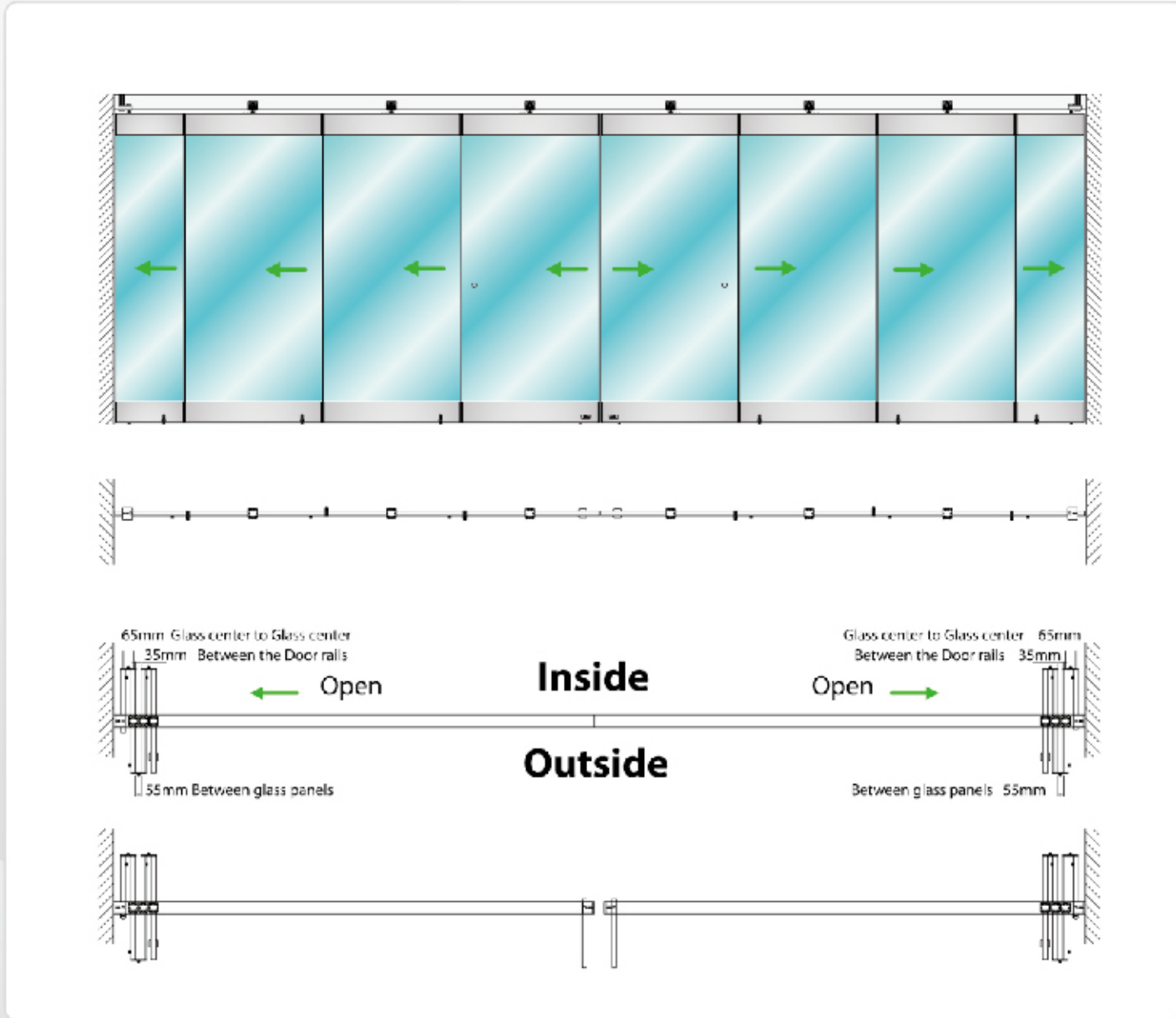
- Roller fixed offset
- Every panel mounted to floor by flush bolt and the last panel can be locked.
- If **you do required** the end panel to open and close as free swing door , you must order in odd mutiple for example 3,5 or 7 panels.
Max. height : 3000 mm
Max. width : 850 mm
Max. weight : 80 kgs

If you require door panel wider, please refer to Type B1/B2



Type B1 *Rollers Center Type*

Type B2 *Rollers Center Type with last free single swing panel*



Type B1

- Every panel roller fixed in the middle
- 3~8 panels are available
- First base panel width = half panel width + (65mm±2mm)
- Max. height : 3000 mm
- Max. width : 1000 mm
- Max. weight : 80 kgs

Type B2

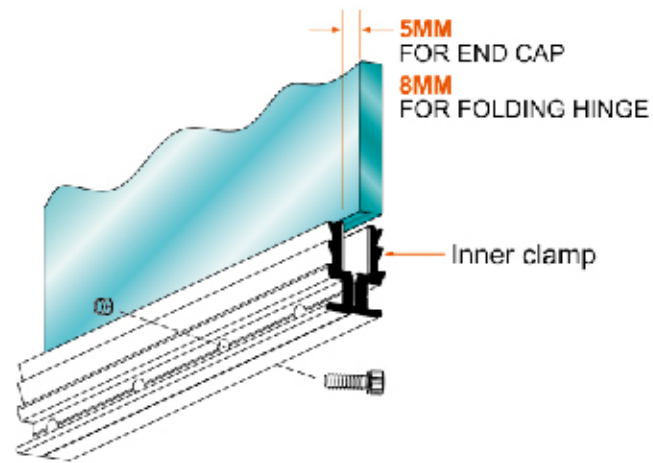
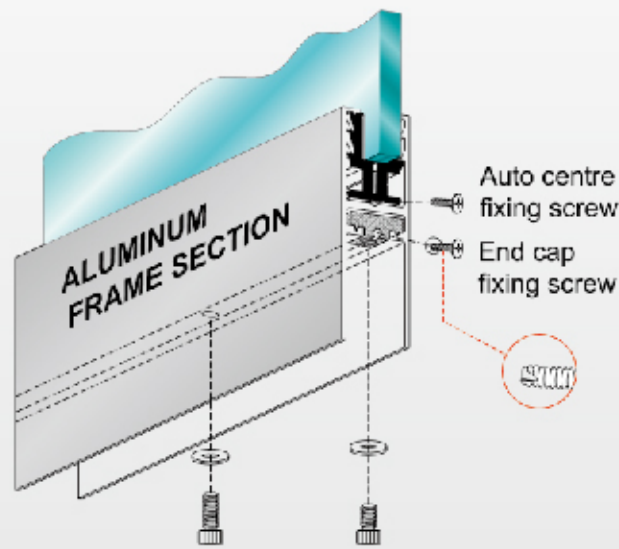
- Every panel roller fixed in the middle with last free panel.
- Last panel can be one side swing
- 3~8 panels are available
- First base panel width = half panel width + (65mm±2mm)
- Max. height : 3000 mm
- Max. width : 1000 mm
- Max. weight : 80 kgs



All accessories. Please refer to Accessories Page.

Installation Example for Inner Clamp

Installation Instruction



For 10mm Glass



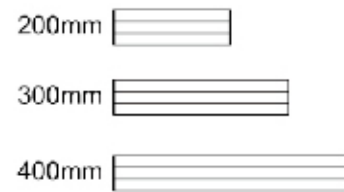
IC102-1020 IC102-1030 IC102-1040

For 12mm Glass



IC102-1220 IC102-1230 IC102-1240

Inner Clamp Length :

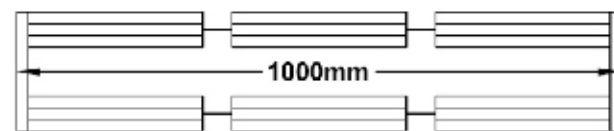
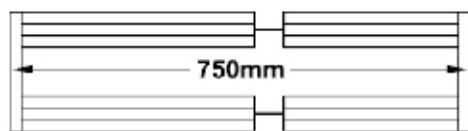
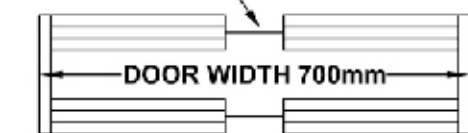


- * Clean up the glass on both edges for clamps.
- * Put the clamp on the glass and make sure edge to edge.
- * Tighten each bolts and nuts levelly.

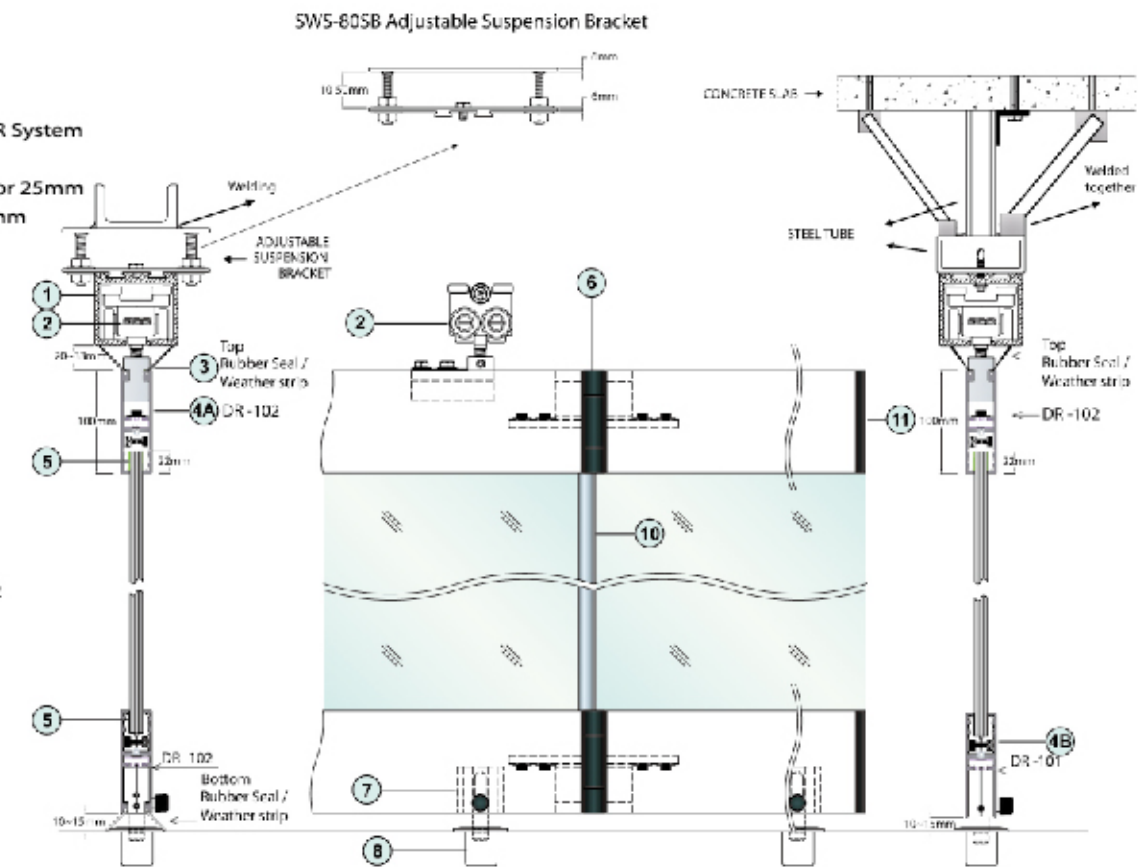
Auto Door (Sliding Door)

* The max. space required between two inner clamps is 100mm.

Gap less than 100mm



- SWS-80ST**
Sliding track for rollers
- FRH-102**
The roller hanger for SFW-DR System
- Top Weather Strip 25mm**
Top : Rubber Seal in 20 mm or 25mm
Bottom : Rubber Seal in 15 mm
- 4A. DR-102**
Main section door rail for top hanging and bottom
- 4B DR-101**
Main section door rail for bottom use only
(Easy to install accessories)
- INNER CLAMP**
- FDH-102**
Folding door hinge with fixing blocks.
- DFB-102S**
Side Flush Bolt for DR - 102
- 9147/DR**
Floor Socket
- 9150**
Adjustable free pivot for first panel
- PU10/12BS**
Bubble seal plastic strip for protecting glass and seal the gap.
- End Cap.**



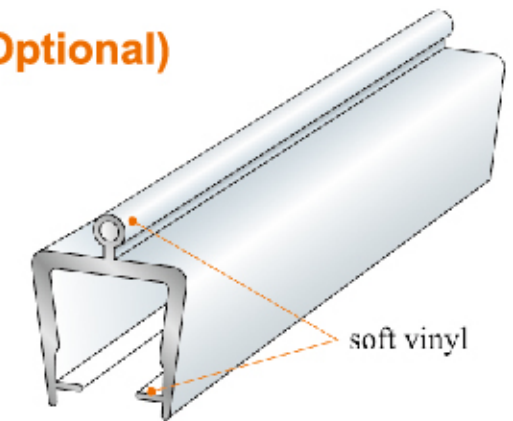
* For door rail information , please refer to GCC Door Rails catalogue.

Special stacking upon requirement.

Clear PVC Seals (Optional)

"U" Jamb With Bubble

- The circulation of air between indoors and outdoors can be limited, as such, the temperature to the air-conditioned room or building is maintained, dirt and dust is prevented from entering the room or building, and the edge of the frameless door panel is also protected (Fix to single edge only).
- Supplied in 3000mm(3 meters) stock lengths.
- Snap on to the glass.



Code No.	Glass Thick
PU10BS	10mm(3/8")
PU12BS	12mm(1/2")



GCC

In the field of architectural fittings for aluminum & tempered glass doors. both high quality and total design flexibility are essential criteria together with ease of installation, safety and function.

GCC full range of fittings are aesthetically designed and manufactured to provide practicality and security to tempered glass assemblies, such as Tempered Glass Door Fittings, PVC Seals W/Weather Strips, Glass Clamps, Shower Door Hinges, Handles & Knobs, PVC Seals & Wipes and Reinforcement Bars for Shower Screen. Door Rails, Pivoting Door systems, office partition systems, Lever Hinges & Locks, Heavy-Duty Sliding Wall systems, Heavy Duty Sliding & Folding Door System, Floor Spring, Concealed Overhead Door Closer, Glass Connectors....etc. For details welcome to visit our website at www.gccintw.com.tw

GCC will be happy to help your special requirements, for any doubts, please contact your nearest **GCC** distributors for any technical assistance on parts and services, or contact us directly.

If you are looking for high quality products, **GCC** is your best choice.



Agent/ Distributor

GOOD CREDIT CORPORATION

No.13, Longmen Rd., Situn Dist., Taichung 40757, Taiwan

TEL: 886-4-22583755(Hunting Line)

FAX: 886-4-22583753

E-mail: gcctw@ms7.hinet.net

<http://www.gccintw.com.tw>

